

The AW-CSD381 conventional photo-electronic smoke detector uses a state of the art optical sensing chamber. This detector is designed to provide open area protection and to be used with the AW-CFP2166 conventional fire alarm panel.

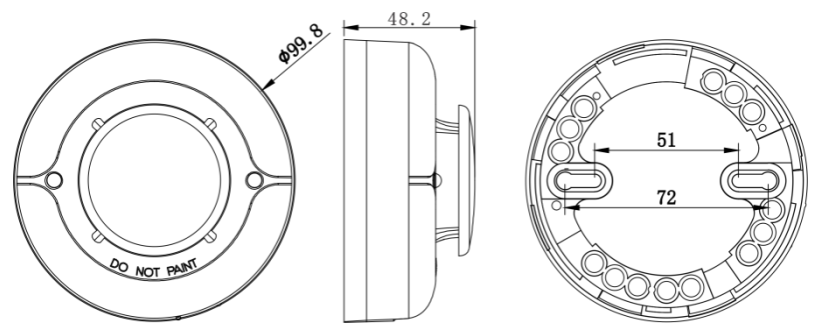
The detector that initiated the alarm condition will have its red LED latched until reset by panel.



Features

- ✓ Surface mounting
- ✓ LED indicator
- ✓ Complete functional test with every activation
- ✓ Meets all requirements of latest EN54-7:2001

Installation



Technical Specification

Model	AW-CSD381
Main Voltage	9~28VDC @Zone
Operating current(@Zone 24VDC)	monitoring status ≤ 120uA, alarm status ≤ 15mA
Application	For indoor use only
Wiring	The promise of two bus system(Zone +, Zone -)
Protection class	IP30
Smoke Alarm Sensitivity	0.1 to 0.15 dB/m
Environmental	Class A temperature range: -10 to 50°C (14~122°F) Humidity: 5 to 95% RH, non-condensing
Materials and colors	ABS, White
Mating Host	AW-CFP2166 fire alarm control panel
Size	99.8mm* 99.8mm* 48.2mm
Weight	about 114.5g