

The AW-D101 smoke detector is an intelligent smoke detector, which can be configured with Asenware AW-FP100 Series Addressable Fire Alarm Control Panel.

Each point (device) can be given specific ID, which allows the panel to continuously monitor specific detector location (point).

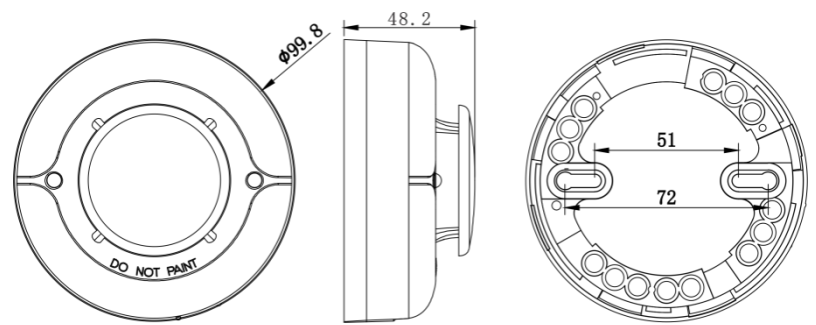
It works stably and reduces the maintenance cost.



## Features

- ✓ Low standby current for continuous monitoring
- ✓ Two-wire connection
- ✓ Dual LED design provides 360° viewing angle
- ✓ Remote test from Panel

## Installation



## Technical Specification

Model	AW-D101
Operating voltage	18~28VDC @Loop
Operating current(@Loop 24VDC)	Monitoring status≤2.5mA, Alarm status≤3mA
Application	For indoor use only
Wiring	The promise of two bus system(Loop in, Loop out)
Smoke alarm sensitivity	0.18~0.3dB/m
Environmental	Temperature range: -10~50°C (14~122°F) Humidity: 5 to 95% RH, non-condensing
Materials and colors	ABS, White
Mating host	AW-FP100 series fire alarm control panel
Size	φ 99.8mm* 48.2mm
Weight	About 85g