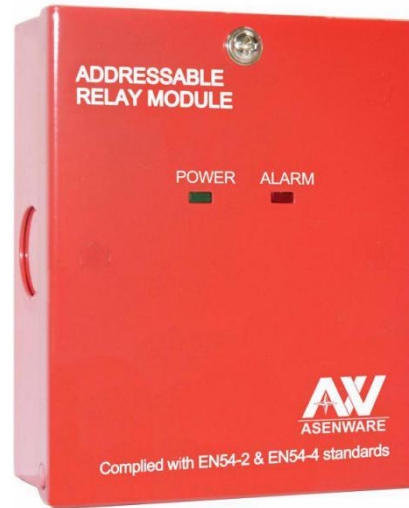


AW-D113 is an intelligent addressable relay module, which can be configured with Asenware AW-FP100 Series Addressable Fire Alarm Control Panel.

Each point (device) can be given specific ID or individual address, which allows the panel to give a relay output signal to control FPE or any other devices.

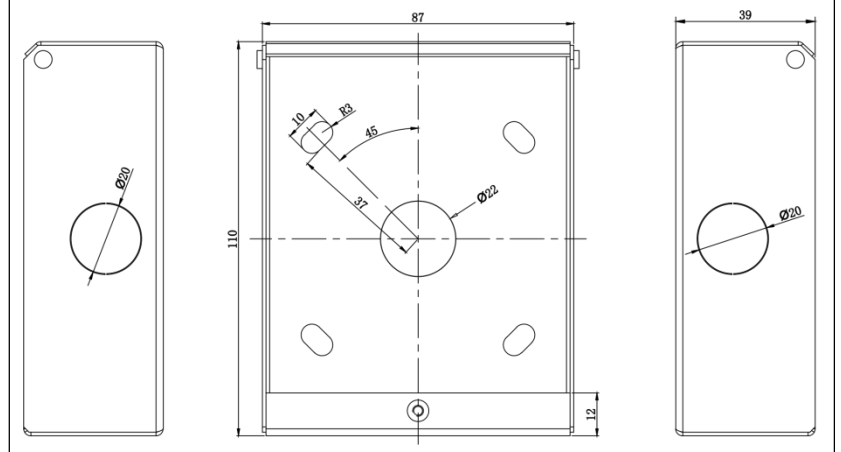
AW-D113 control modules provides a fire signal with a dry-contact output for activating a variety of devices, such as fans, dampers, control equipment, etc.



## Features

- ✓ Reliable communication protocol
- ✓ Two LEDs one is Green, which blinks in normal condition and another one is Red which becomes steady during fire alarm condition
- ✓ Remote test from Panel

## Installation



## Technical Specification

Model	AW-D113
Operating voltage	18~28VDC @Loop
Operating current(@Loop 24VDC)	Standby status≤3mA, Alarm status≤30mA
Wiring	The promise of two bus system(Loop in, Loop out)
Relay capacity	2A(Max) @24VDC & 1A(Max) @250VAC
Protection level	IP 30
Environmental	Temperature range: -10~50°C (14~122°F) Humidity: 5 to 95% RH, non-condensing
Mating host	AW-FP100 series fire alarm control panel
Size (L*W*H)	110mm* 87mm* 39mm
Weight	About 330g