

Asenware AW-D120 is an intelligent addressable sounder base for addressable detector (Type A) and conventional detector (Type B), which can be configured with Asenware AW-FP100 Series Addressable Fire Alarm Control Panel.

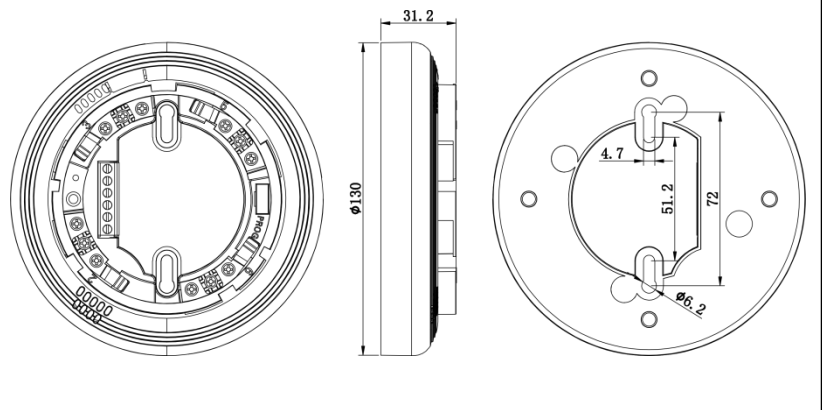
Each point (device) can be given specific ID, which allows the panel to continuously monitor specific addressable sounder base location (point) and give a visual and audible signals when panel enters fire alarm condition.



Features

- ✓ Two-wire connection
- ✓ Loop powered sounder
- ✓ Can be used as a detector base
- ✓ Reliable communication protocol

Installation



Technical Specification

Model	AW-D120
Operating voltage	18~28VDC @Loop
Operating current(@Loop 24VDC)	Standby status≤3mA, Alarm status≤60mA
Wiring	The promise of two bus system(Loop in, Loop out)
Alarm SPL	≥100dB @1m
Environmental	Temperature range: -10~50°C (14~122°F) Humidity: 5 to 95% RH, non-condensing
Mating host	AW-FP100 series fire alarm control panel
Size	Φ 130mm*31.2mm
Weight	About 145g