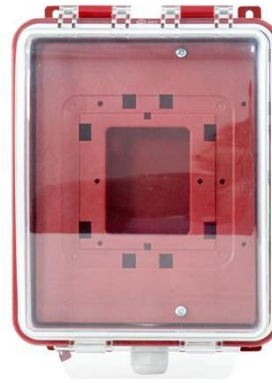


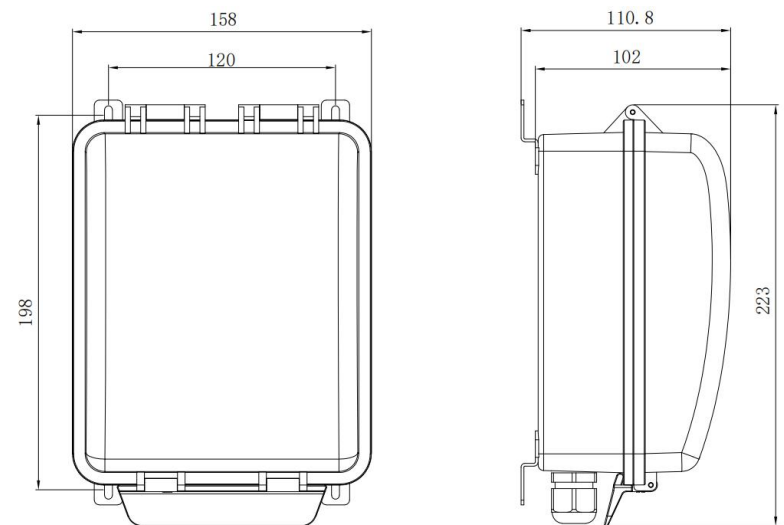
AW-D134 Water-proof Box is designed protective housing for MCP. Made of plastic, it features excellent sealing performance that effectively prevents the ingress of rainwater, dust and moisture, ensuring the internal device works stably over long periods in harsh outdoor or humid and dusty environments.



### Features

- ✓ IP66 protection level
- ✓ Easy to installation for MCP
- ✓ Transparent top cover and red base
- ✓ Flick structure

### Installation



## Technical Specification

Product Model	AW-D134
Protection Level	IP66
Materials	PC+ABS
Colors	Transparent top cover and red base
Working Environment	Temperature: -10 °C ~ + 50 °C
Dimensions	223mm*158mm*102mm