

Description

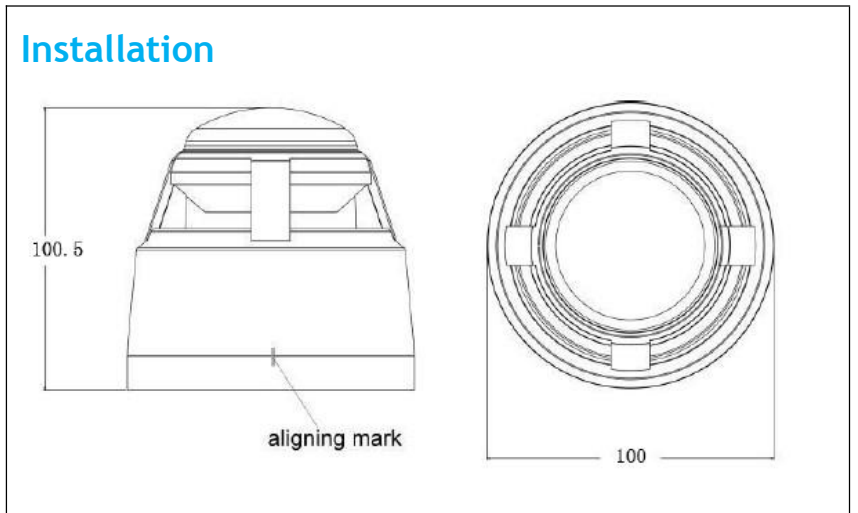
AW-D307 Intelligent Sounder Beacon will give a harsh audible alarm signal after receiving a start command given by the fire alarm control panel following an accident, to remind the persons on the scene of the accident, the fact that a fire has occurred on the site, quickly and necessity to take related evacuation measures.

It is applicable to places like high-rise residential buildings, public places, hotels, amusement buildings, particularly to the places with a low visibility or the possibility of generation of smoke.



Features and Installation

- Features**
- ✓ Surface mounting
 - ✓ Highly efficient LED technology
 - ✓ Complied with EN 54-3



Technical Specification

Model	AW-D307 (Type A)
Loop Input	DC 24V (20~28VDC), ≤2mA (Monitoring); ≤8mA (Alarm)
Power Consumption	≤0.2W @ DC 24V
Sounder Output	≥73 dB(A) @ 1m
Flash Rate	1~2 Hz
Flash Color	Red
Environmental	Temperature range: -10 to 55°C (14~131°F) Humidity: 5 to 95% RH, non-condensing
Materials and colors	ABS, Red
Mating Host	AW-FP 300
Size	φ 100mm* 100.5mm
Weight	About 236g