

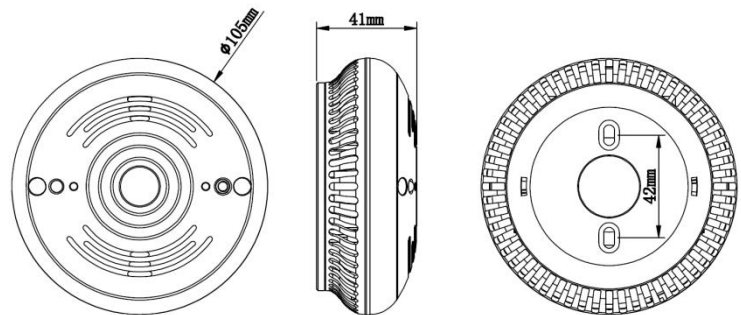
This detector is a photo-detector that uses the most advanced optical sensing chamber. It is designed to provide open area protection and can be used with the AW Fire Alarm Control Panel. It has a wireless network alarm function that can form a wireless LAN alarm system through the panel. Wireless connection and supports electronic coding, easy installation and construction.



Features

- ✓ Surface mounting
- ✓ Full electronic coding
- ✓ LED indicator and buzzer
- ✓ No wire connection
- ✓ Complete functional test with every activation
- ✓ EN14604:2005 standard.

Installation



Technical Specification

Model	AW-D603L
Operating Voltage	3VDC (with battery CR17450/CR17505/CR-AGF)
Operating current	monitoring status $\leq 8\mu\text{A}$, alarm status $\leq 120\text{mA}$
Operating Frequency	433MHz (418MHz to 448MHz)
Smoke Alarm Sensitivity	0.18-0.3dBm
Wireless transmit power	+20dB
Alarm SPL	$\geq 85\text{dB} / 3\text{m}$
Protection class	IP30
Indicator	Normal: blinking Alarm: lighting
Environmental	Temperature range: 0 to 40°C (32~104°F) Humidity: $\leq 93\%$ RH, non-condensing
Materials and colors	ABS, white
Mating Host	AW fire alarm control panel
Encoding	Address from 1 to 250 optional
Size	105mm* 105mm* 41mm (with cover)
Weight	About 120g