

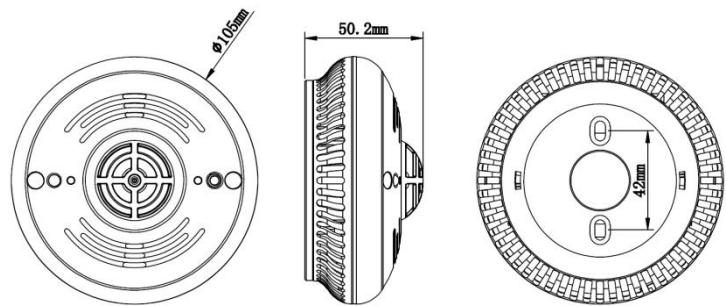
AW-D604L wireless addressable heat detector is mainly designed for wireless control system. The detector adopts the fastest response and the most sensitive temperature sensing detector. With wireless network alarm function, it can form a wireless local area network alarm system through the panel. Wireless connection, support for electronic coding, easy installation and construction.



Features

- ✓ Surface mounting
- ✓ Full electronic coding
- ✓ LED indicator and buzzer
- ✓ No wire connection
- ✓ Complete functional test with every activation
- ✓ EN14604:2005 standard

Installation



Technical Specification

Model	AW-D604L
Operating Voltage	3VDC (with battery CR17450/CR17505/CR-AGF)
Operating current	monitoring status $\leq 8\mu\text{A}$, alarm status $\leq 120\text{mA}$
Operating Frequency	433MHz (418MHz to 448MHz)
Fix temperature Alarm	57°C (135°F) A2R
Rate of rise Alarm	$\geq 10^\circ\text{C}/2\text{M}$ A2R
Wireless transmit power	+20dB
Alarm level	$\geq 85\text{dB}/3\text{m}$
Protection class	IP30
Indicator	Normal: blinking Alarm: lighting
Environmental	Temperature range: 0 to 40°C (32~104°F) Humidity: $\leq 93\%$ RH, non-condensing
Materials and colors	ABS, white
Mating Host	AW fire alarm control panel
Encoding	Address from 1 to 250 optional
Size	105mm* 105mm* 50.2mm (with cover)
Weight	About 120g